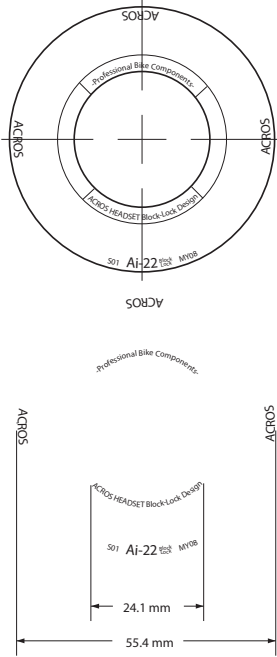
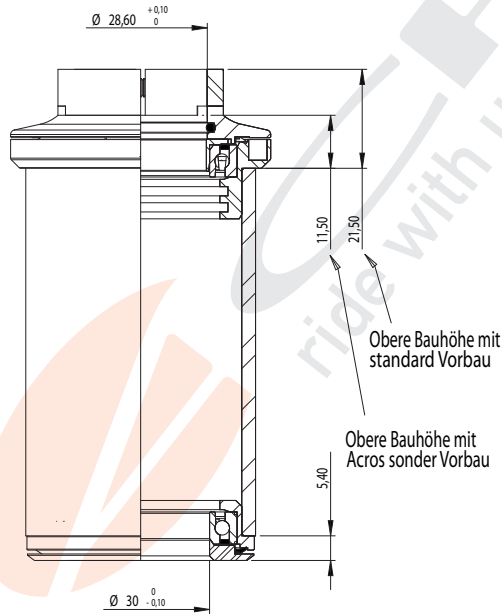
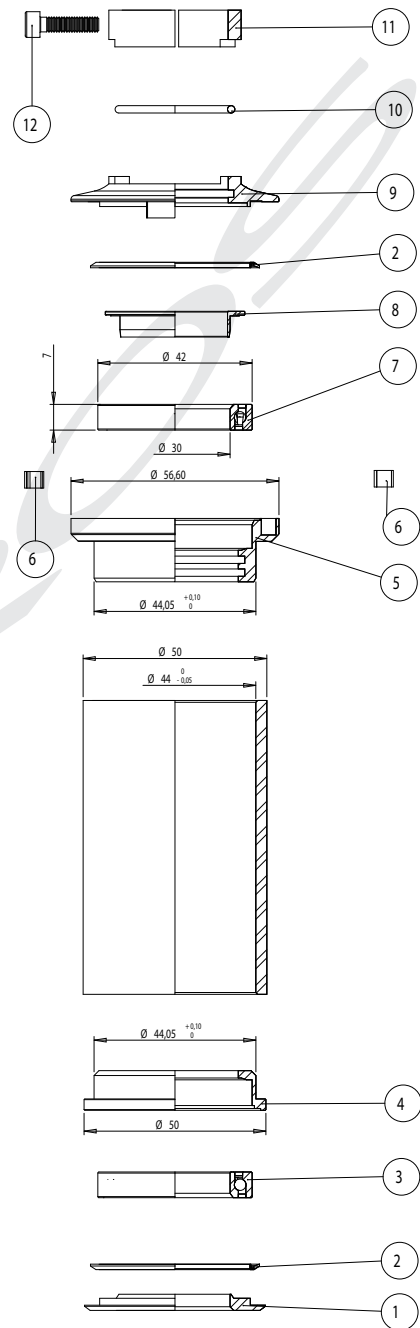
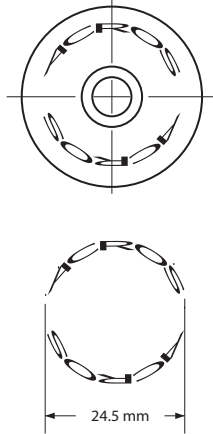


Gravur Deckel | headset cover:



Gravur Top Cap:



Ai-22 BL - 51.02.500S

POS	QTY	item No.	Art.Bez.	name of the item
1	1	22.02.001R3	Boden Ai-22, R3	base plate Ai-22, R3
2	2	16.04.006R3	Drag-Seal R3 rot	Drag-Seal R3 red
3	1	S71806	Edelstahl Schrägkugellager 30x42x7	Stainless angular contact bearing 30x42x7
4	1	22.02.002R3	Lagerschale Ai-22 Drag-Seal R3	bearing cup, Ai-22 Drag-Seal
5	1	51.02.003	Lagerschale semi, Block-Lock	bearing cup semi, Block-Lock
6	5	51.00.017	Überlastschutz Block-Lock	overload protection Block-Lock
7	1	SAC3041-45-2RS	SAC3041-45-2RS (rote Dichtung)	SAC3041-45-2RS (red seal)
8	1	11.00.004	Zentrierring 1 1/8"	compression ring 1 1/8"
9	1	51.02.005	Steuersatzdeckel Block-Lock	headset cover Block-Lock
10	1	DIN3771OR28X2	O-Ring 28x2 rot	O-Ring 28x2 red
11	1	51.02.007	Klemmschelle Block-Lock	clamp Block-Lock
12	1	DIN912M4X16	Zylinderschraube M4x16	cylinder head screw M4x16
	1	11.02.007	Spannkralle 1 1/8"	star nut 1 1/8"
	1	11.02.008	Spanndeckel 1 1/8"	top cap 1 1/8"
	1	DIN912M6X30A2	Zylinderschraube M6x30	cylinder head screw M6x30